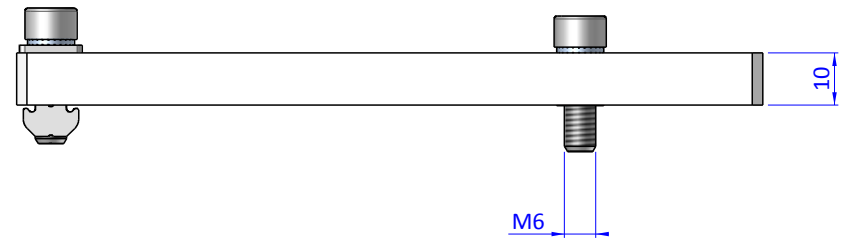
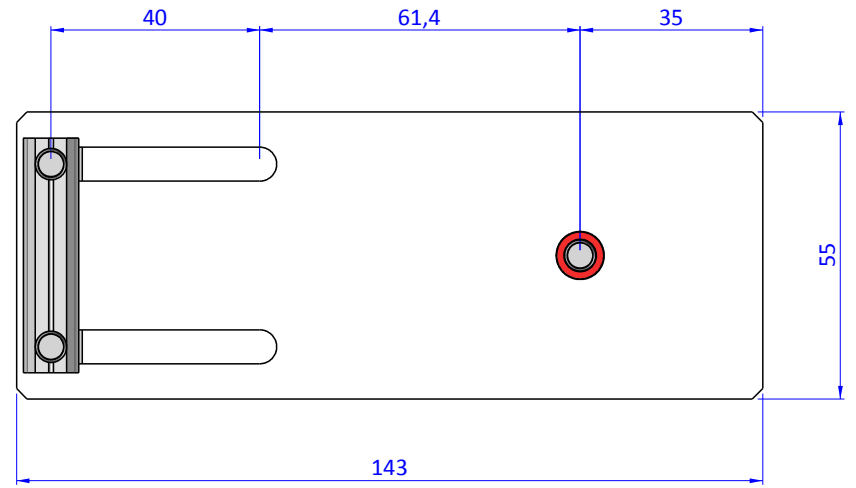
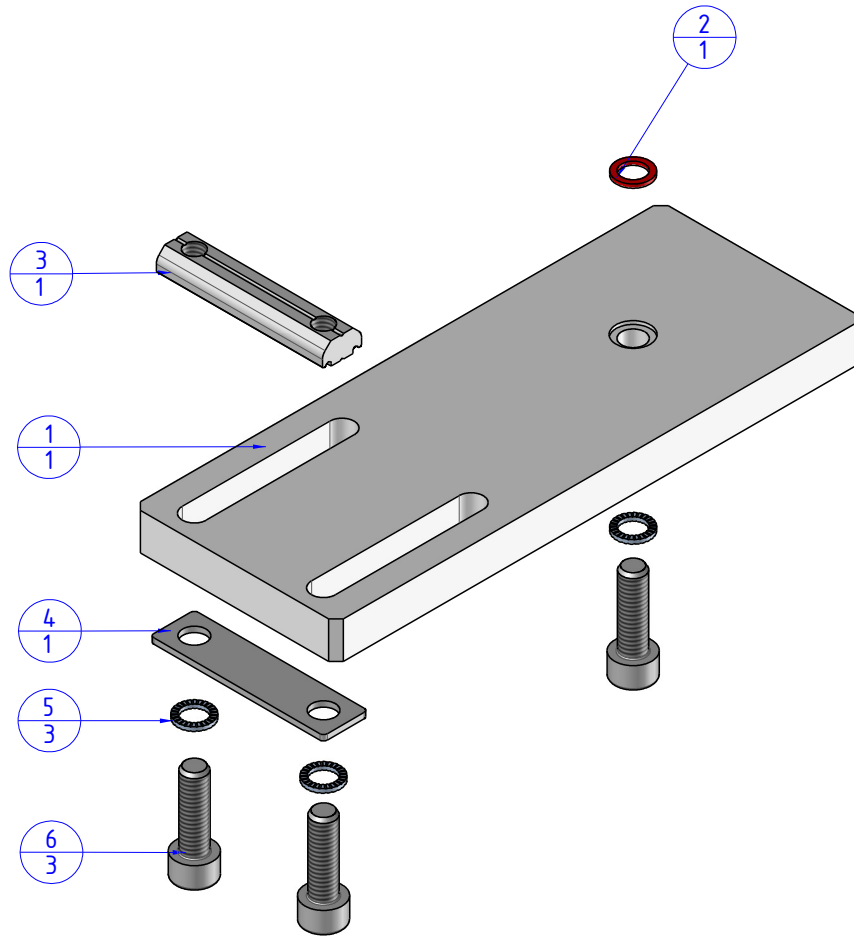


THE PROPERTY OF THE DRAWING IS ESTABLISHED BY LAW. IT IS FORBIDDEN TO PRODUCE OR SHOW IT TO THIRD PARTY, WITHOUT A WRITTEN AGREEMENT.

Item	Name	Q.ty
1	09.18.4555	1
2	CA.08.09.06	1
3	CA.GWP.6.35	1
4	R.06.35	1
5	R.6.SCH	3
6	V.TCE6x20	3



Format A3

UNI 936-76

		DESIGNED FROM		REVIEW
		FPS Automation		A
GENERAL TOLERANCE UNI - ISO 2768 CLASSE F		DATE	WEIGHT	
		31/05/2019	0,244kg	
DESCRIPTION		CODE		
CA.09.18.4555.JU		CA.09.18.4555.JU		